

2-Colour Display Digital Pressure Switch

- New**
- NPN/PNP open collector 2 outputs added.
 - Cut-to-zero display function added.



Rated Pressure

For
General
Fluids

10 MPa (ISE75) • **15 MPa** (ISE75H)

For Air

1 MPa (ISE70)

Metal Body Type
(Die-cast aluminum)

2-colour
digital IP67



2-Colour Display (Green/Red)

- Selectable from four patterns

	ON	OFF
①	Red	Green
②	Green	Red
③	Red	Red
④	Green	Green

Easily identifiable abnormal readings

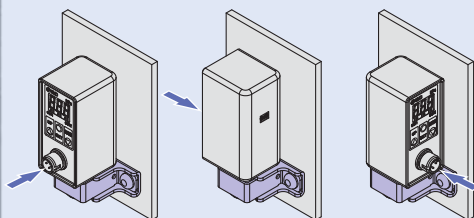


M12 Connector

- Lead wire with M12 connector (5 m)
- Straight and right-angled connectors

With Bracket

- User-selectable mounting orientation



- Withstand pressure: Rated pressure x 3
- Model with initial display settings of PSI is also available as standard.
- Port size
Rc1/4, NPT1/4, G1/4 (ISO1179)

Functions

- Anti-chattering
- Display calibration
- Zero-out
- Key lock
- Unit display switching
(Fixed SI unit in Japan)

For Air	For General Fluids	
ISE70 (1 MPa)	ISE75 (10 MPa)	ISE75H (15 MPa)
Plain	Grey	Orange

Series **ISE70/75/75H**



CAT.EUS100-52C-UK

2-Colour Display Digital Pressure Switch For Air

Series ISE70



How to Order



1 MPa

ISE70 - 02 - 43 - M

Piping

02	Rc1/4
N02	NPT1/4
F02	G1/4 (ISO1179)

Output

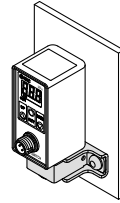
27	2 settings NPN open collector 2 outputs ((Pin no.: 2, 4)
43	Fixed setting: NPN open collector 1 output (Pin no.: 4) + PNP open collector 1 output (Pin no.: 2)
65	PNP open collector 1 output (Pin no.: 4)
67	2 settings PNP open collector 2 outputs (Pin no.: 2, 4)

Display unit

—	With unit display switching function <small>Note 1)</small>
M	Fixed SI unit <small>Note 2)</small>
P	Pressure unit: PSI (Initial value) With unit display switching function <small>Note 1)</small>

Note 1) Under the New Measurement Law, sales of switches with the unit switching function have not been allowed for use in Japan. (Initial value MPa)
Note 2) Fixed unit: MPa

Option 2

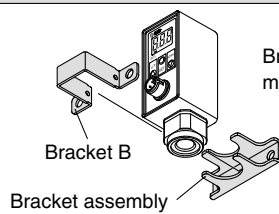
—	None
A	With bracket  <small>Note)</small> Mounting screws are not included.

Option 1

—	None
S	Lead wire with M12 connector (5 m), straight
L	Lead wire with M12 connector (5 m), right-angled

Optional Part No.

When optional parts are required separately, use the following part numbers to place an order.

Option	Part no.	Note
Bracket	ZS-31-A	 <p>Bracket B and the bracket assembly make up one set. <small>Note)</small> Mounting screws are not included.</p>
Lead wire with M12 connector, straight	ZS-31-B	Lead wire length: 5 m
Lead wire with M12 connector, right-angled	ZS-31-C	Lead wire length: 5 m

Specifications

Model	ISE70	
Rated pressure range	0 to 1 MPa	
Set pressure range	-0.1 to 1 MPa	
Withstand pressure	1.5 MPa	
Set pressure resolution	0.01 MPa	
Applicable fluid	Air, Non-corrosive gas, Non-flammable gas	
Power supply voltage	12 to 24 VDC±10%, Ripple (p-p) 10% or less (with power supply polarity protection)	
Current consumption	55 mA or less (at no load)	
Switch output	Output -27: 2 settings; NPN open collector 2 outputs (Pin no.: 2, 4) Output -43: Fixed setting; NPN open collector 1 output (Pin no.: 4) + PNP open collector 1 output (Pin no.: 2) ^{Note 1)} Output -65: PNP open collector 1 output (Pin no.: 4) Output -67: 2 settings; PNP open collector 2 outputs (Pin no.: 2, 4)	
Max. load current	80 mA	
Max. applied voltage	30 V (at NPN output)	
Residual voltage	1 V or less (with load current of 80 mA)	
Response time	2.5 ms (with anti-chattering function: 20 ms, 160 ms, 640 ms, 1000 ms, 2000 ms)	
Short circuit protection	With short circuit protection	
Repeatability	±0.5%F.S. or less	
Hysteresis	Hysteresis mode	
	Window comparator mode	Variable (0 or above)
Display	3-digit, 7-segment indicator, 2-colour display (Red/Green) can be interlocked with the switch output, Sampling cycle: 5 times/1 s	
Display accuracy	2%F.S.±1 digit or less (at 25°C±3°C)	
Indication light	OUT1: Light up when output is turned ON. (Green) OUT2: Light up when output is turned ON. (Red: for output -27, -67)	
Functions	Anti-chattering function, Unit display switching function, Zero-out function, Key lock function	
Environmental resistance	Enclosure	IP67 ^{Note 2)}
	Fluid temperature range	0 to 50°C (with no freezing nor condensation)
	Operating temperature range	Operating: 0 to 50°C, Stored: -10 to 60°C (with no freezing nor condensation)
	Operating humidity range	Operating and stored: 35 to 85%RH (with no condensation)
	Withstand voltage	1000 VAC for 1 min. between live parts and case
	Insulation resistance	50 MΩ or more between live parts and case (at 500 VDC Megohmmeter)
	Vibration resistance	10 to 500 Hz, 1.5 mm or 98 m/s ² amplitude in X, Y, Z directions for 2 hours each (Non-energised)
Impact resistance	980 m/s ² in X, Y, Z directions 3 times each (Non-energised)	
Temperature characteristics (Based on 25°C: within operating temperature range)	±2%F.S. or less	
Standards	CE Marking, UL/CSA (UL508) compliance	
Wetted parts material	Fitting: C3604 (electroless nickel plated), Sensor port: PBT, Sensor pressure receiving area: Silicon, O-ring: NBR	
Port size	02: Rc1/4, N02: NPT1/4, F02: G1/4 (ISO1179) ^{Note 3)}	
Lead wire	Oilproof cable with M12 4-pin pre-wired connector, 4 cores, ø4, 5 m, Conductor O.D.: 0.72 mm, Insulator O.D.: 1.14 mm	
Mass (Weight)	190 g (excluding the lead wire with M12 4-pin pre-wired connector)	

Note 1) The NPN and PNP outputs function for a single set point.

Note 2) An FKM gasket is used for the product case seal. Refer to back page 2 for details.

Note 3) G1/4: Applicable to ISO1179-1

See the operating manual for information on how to set and on handling precautions. (Refer to SMC website.)

2-Colour Display Digital Pressure Switch For General Fluids

Series *ISE75/75H*



How to Order

10 MPa

ISE75 - 02 - 43 - M

15 MPa

ISE75H - 02 - 43 - M

Piping

02	Rc1/4
N02	NPT1/4
F02	G1/4 (ISO1179)

Output

27	2 settings NPN open collector 2 outputs (Pin no.: 2, 4)
43	Fixed setting: NPN open collector 1 output (Pin no.: 4) + PNP open collector 1 output (Pin no.: 2)
65	PNP open collector 1 output (Pin no.: 4)
67	2 settings PNP open collector 2 outputs (Pin no.: 2, 4)

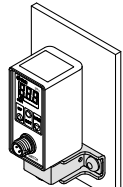
Display unit

—	With unit display switching function <small>Note 1)</small>
M	Fixed SI unit <small>Note 2)</small>
P	Pressure unit: PSI (Initial value) With unit display switching function <small>Note 1)</small>

Note 1) Under the New Measurement Law, sales of switches with the unit switching function have not been allowed for use in Japan. (Initial value MPa)

Note 2) Fixed unit: MPa

Option 2

—	None
A	With bracket 

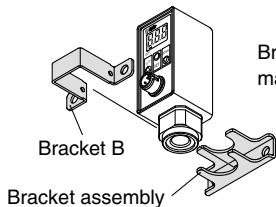
Option 1

—	None
S	Lead wire with M12 connector (5 m), straight
L	Lead wire with M12 connector (5 m), right-angled



Optional Part No.

When optional parts are required separately, use the following part numbers to place an order.

Option	Part no.	Note
Bracket	ZS-31-A	 <p>Bracket B and the bracket assembly make up one set.</p>
Lead wire with M12 connector, straight	ZS-31-B	Lead wire length: 5 m
Lead wire with M12 connector, right-angled	ZS-31-C	Lead wire length: 5 m

2-Colour Display Digital Pressure Switch *Series ISE75/75H*

For General Fluids

Specifications

Model	ISE75	ISE75H
Rated pressure range	0 to 10 MPa	0 to 15 MPa
Set pressure range	0.4 to 10 MPa	0.5 to 15 MPa
Withstand pressure	30 MPa	45 MPa
Set pressure resolution	0.1 MPa	
Applicable fluid	Fluid or gas that will not corrode stainless steel 304, 430 and 630	
Power supply voltage	12 to 24 VDC±10%, Ripple (p-p) 10% or less (with power supply polarity protection)	
Current consumption	55 mA or less (at no load)	
Switch output	Output -27: 2 settings; NPN open collector 2 outputs (Pin no.: 2, 4) Output -43: Fixed setting; NPN open collector 1 output (Pin no.: 4) + PNP open collector 1 output (Pin no.: 2) ^{Note 1)} Output -65: PNP open collector 1 output (Pin no.: 4) Output -67: 2 settings; PNP open collector 2 outputs (Pin no.: 2, 4)	
Max. load current	80 mA	
Max. applied voltage	30 V (at NPN output)	
Residual voltage	1 V or less (with load current of 80 mA)	
Response time	2.5 ms (with anti-chattering function: 20 ms, 160 ms, 640 ms, 1000 ms, 2000 ms)	
Short circuit protection	With short circuit protection	
Repeatability	±0.5%F.S. or less	
Hysteresis	Hysteresis mode	Variable (0 or above)
	Window comparator mode	
Display	3-digit, 7-segment indicator, 2-colour display (Red/Green) can be interlocked with the switch output, Sampling cycle: 5 times/1 s	
Display accuracy	2%F.S.±1 digit or less (at 25°C±3°C)	
Indication light	OUT1: Light up when output is turned ON. (Green) OUT2: Light up when output is turned ON. (Red: for output -27, -67)	
Functions	Anti-chattering function, Unit display switching function, Zero-out function, Key lock function	
Environmental resistance	Enclosure	IP67 ^{Note 2)}
	Fluid temperature range	-5 to 80°C (with no freezing nor condensation)
	Operating temperature range	Operating: -5 to 50°C, Stored: -10 to 60°C (with no freezing nor condensation)
	Operating humidity range	Operating and stored: 35 to 85%RH (with no condensation)
	Withstand voltage	250 VAC for 1 min. between live parts and case
	Insulation resistance	50 MΩ or more between live parts and case (at 50 VDC Megohmmeter)
	Vibration resistance	10 to 500 Hz, 1.5 mm or 98 m/s ² amplitude in X, Y, Z directions for 2 hours each (Non-energised)
Impact resistance	980 m/s ² in X, Y, Z directions 3 times each (Non-energised)	
Temperature characteristics (Based on 25°C: within operating temperature range)	±3%F.S. or less	
Standards	CE Marking, UL/CSA (UL508) compliance	
Wetted parts material	Pressure receiving area: Stainless steel 630, Fitting: Stainless steel 304 (port size Rc1/4) Pressure receiving area: Stainless steel 630, Fitting: Stainless steel 430 (port size NPT1/4, G1/4)	
Port size	02: Rc1/4, N02: NPT1/4, F02: G1/4 (ISO1179) ^{Note 3)}	
Lead wire	Oilproof cable with M12 4-pin pre-wired connector, 4 cores, ø4, 5 m, Conductor O.D.: 0.72 mm, Insulator O.D.: 1.14 mm	
Mass (Weight)	225 g (port size Rc1/4), 210 g (port size NPT1/4, G1/4) (excluding the lead wire with M12 4-pin pre-wired connector)	

Note 1) The NPN and PNP outputs function for a single set point.

Note 2) An FKM gasket is used for the product case seal. Refer to back page 2 for details.

Note 3) G1/4: Applicable to ISO1179-1

See the operating manual for information on how to set and on handling precautions.
(Refer to SMC website.)

Series ISE70/75/75H

Descriptions

Indication light (Green)

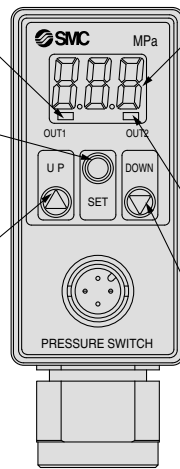
Displays the switch operation status. Lights up when OUT1 is turned ON.

SET button

Use this button to switch the mode and set the set value.

UP button

Use this button to change the mode or increase the ON/OFF set value. It also allows you to switch to the peak value display mode.



LCD

Displays the current pressure condition, set mode and error code. The display mode can be selected from four options: fixed green single-colour reading, fixed red single-colour reading, green reading interlocked with output for switching to red reading, or red reading interlocked with output for switching to green reading.

Indication light (Red)

Note)

Displays the switch operation status. Lights up when OUT2 is turned ON.

DOWN button

Use this button to change the mode or decrease the ON/OFF set value. It also allows you to switch to the bottom value display mode.

Note) Output -27 and -67 only

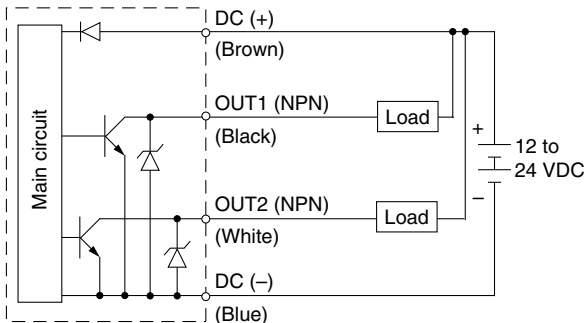
Internal Circuits and Wiring Examples

Output -27

2 settings

NPN open collector 2 outputs

Max. 30 V, 80 mA, Residual voltage 1 V or less



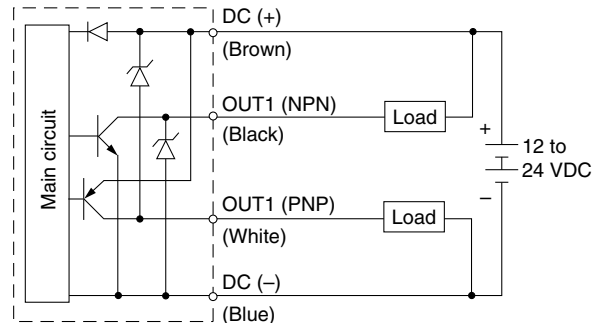
Output -43

Fixed setting

NPN open collector 1 output + PNP open collector 1 output

(The pressure set point for switching the output signal is common to NPN and PNP.)

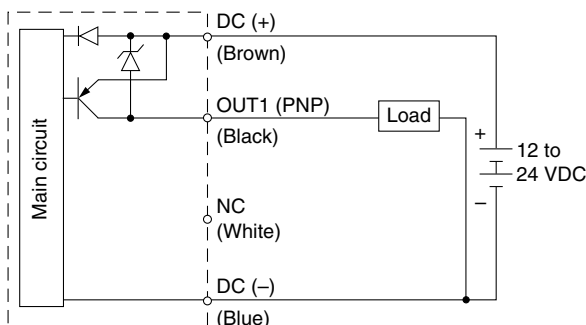
Max. 30 V (NPN only), 80 mA, Residual voltage 1 V or less



Output -65

PNP open collector 1 output

Max. 80 mA

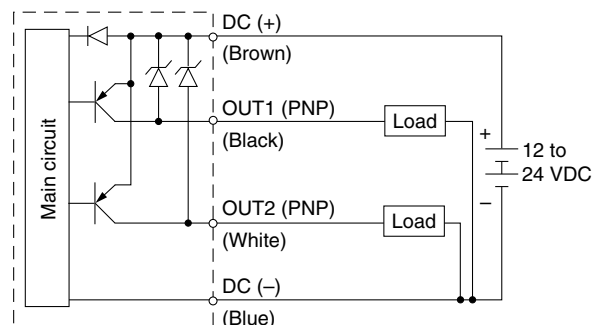


Output -67

2 settings

PNP open collector 2 outputs

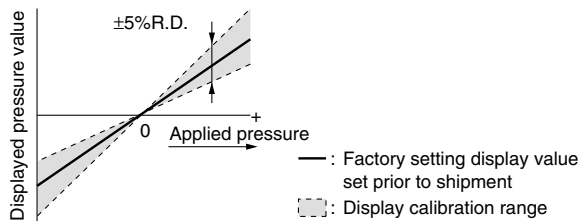
Max. 80 mA



Functions

Display calibration function

This function eliminates slight differences in the output values and allows uniformity in the numbers displayed. Displayed values of the pressure sensor can be calibrated to within $\pm 5\%$ of their readings.



Note) When the display calibration function is used, the set pressure value may change ± 1 digit.

Peak/Bottom hold function

This function constantly detects and updates the maximum and minimum pressure values and allows the unit to hold the display value.

Key lock function

This function prevents incorrect operations such as changing the set value accidentally.

Zero-out function

The measured pressure reading can be adjusted to zero. More specifically, the factory-set reading can be corrected to within $\pm 7\%$ F.S.

Unit display switching function

The reading unit can be selected.

Unit/Reading resolution	ISE70	ISE75/75H
MPa	0.01	0.1
kgf/cm ²	0.1	1
bar	0.1	1
psi	1	1 (X10)

Anti-chattering function

A large bore cylinder or ejector consumes a large amount of air in operation and may experience a temporary drop in the primary pressure. This function prevents detection of such temporary drops in primary pressure as abnormal pressure.

Response time selections: 20 ms, 160 ms, 640 ms, 1000 ms, 2000 ms

Cut-to-zero display function

With the ISE75 series, users can enable or disable a function (cut-to-zero display function) that displays pressure values of 0.3 MPa or less as zero (0.4 MPa or less in the ISE75H series).

Example pressure displays (shading indicates changed displays)

ISE75-□ (for 10 MPa)

Cut-to-zero display function "ON": 0 → **Displayed as 0** → 0.4 → 0.5 → 0.6 → → 9.9 → 10.0

Cut-to-zero display function "OFF": 0 → 0.1 → 0.2 → 0.3 → 0.4 → 0.5 → 0.6 → → 9.9 → 10.0

ISE75H-□ (for 15 MPa)

Cut-to-zero display function "ON": 0 → **Displayed as 0** → 0.5 → 0.6 → → 14.9 → 15.0

Cut-to-zero display function "OFF": 0 → 0.1 → 0.2 → 0.3 → 0.4 → 0.5 → 0.6 → → 14.9 → 15.0

Pressure Display Range

Series	Cut-to-zero display function "ON"	Cut-to-zero display function "OFF"
ISE75	0, 0.4 to 10.0 MPa	0 to 10.0 MPa
ISE75H	0, 0.5 to 15.0 MPa	0 to 15.0 MPa

* The set pressure range does not change when the cut-to-zero display function is disabled.

Error function

Take the following corrective solutions when error occurs.

Error description	LCD display	Description	Solution
Over-current error	OUT1	Load current of switch output exceeds 80 mA.	Shut off the power supply. After eliminating the output factor that caused the excess current, turn the power supply back on.
	Note 1) OUT2		
Residual pressure error	Er3	A pressure level greater than $\pm 7\%$ F.S. has been applied when it is cleared to zero. The switch will automatically return to measuring mode in three seconds, however. Due to individual product differences, the setting range varies by ± 1 digit.	Bring the pressure back to atmospheric pressure and try using the zero-out function.
Applied pressure error	HHH	Supply pressure exceeds the maximum set pressure.	Bring the pressure back to within the set pressure range.
	LLL	Supply pressure is below the minimum set pressure.	
System error	Er4	Internal data error	Shut off the power supply. Turn the power supply back on.
	Er6	Internal data error	
	Er7	Internal data error	
	Er8	Internal data error	

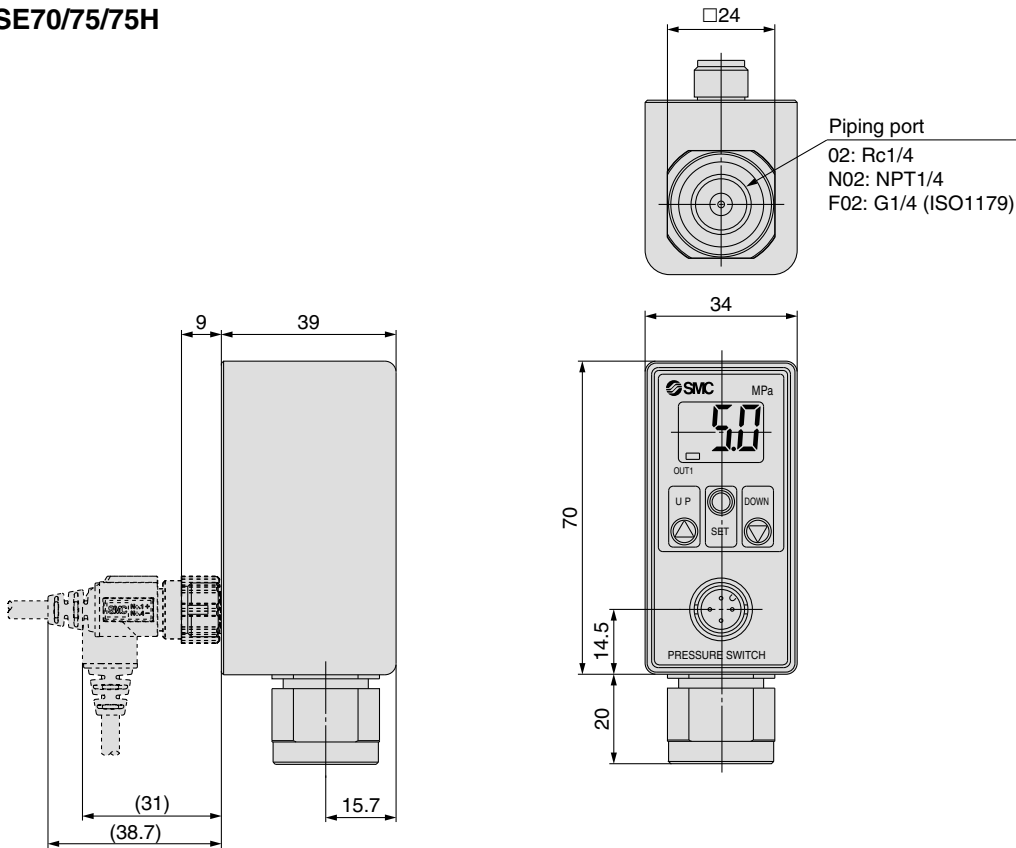
* If the switch does not recover to normal even after all of the above-mentioned solutions have been applied, consult SMC for investigation.

Note 1) Output -27 and -67 only.

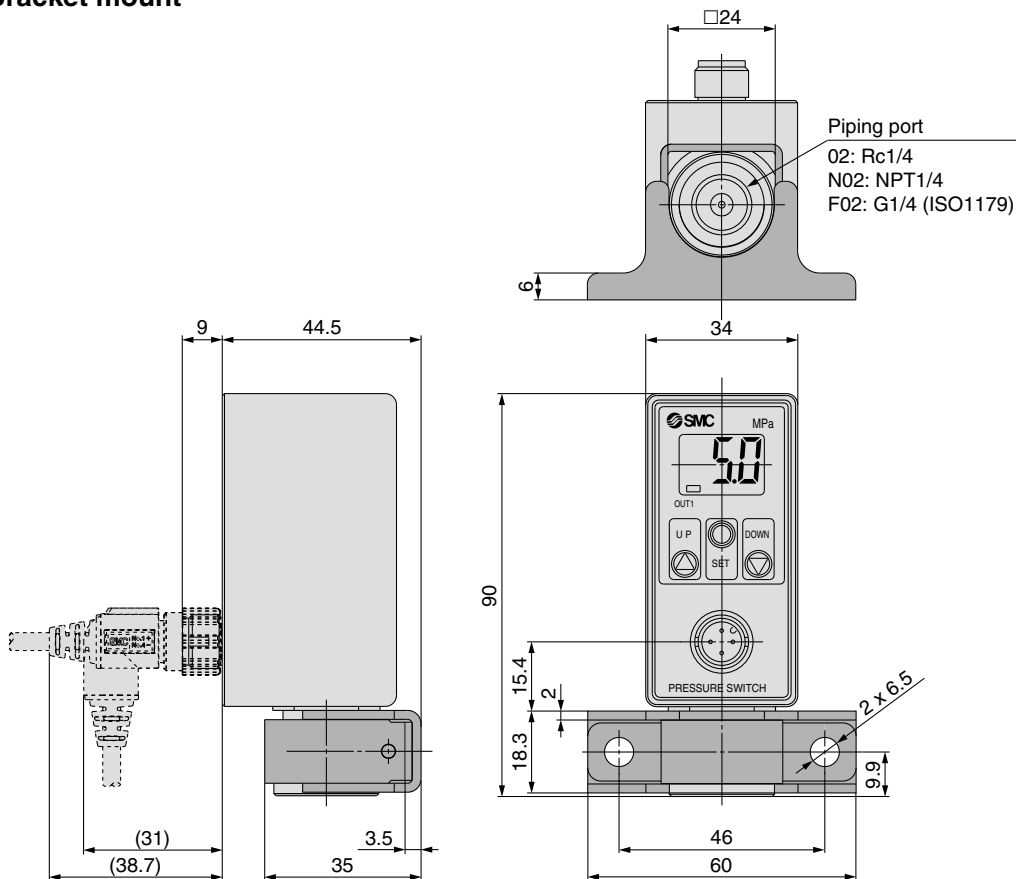
Series ISE70/75/75H

Dimensions

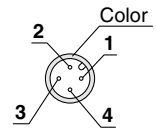
ISE70/75/75H



Bracket mount



Note) The connector faces down (toward the piping). Do not attempt to rotate the connector, as it is not rotatable.



Connector pin assignments

Output -43
(Color: Grey)

Pin	Color	Assignment
1	Brown	DC (+)
2	White	OUT1 (PNP)
3	Blue	DC (-)
4	Black	OUT1 (NPN)

Output -65
(Color: Black)

Pin	Color	Assignment
1	Brown	DC (+)
2	White	NC
3	Blue	DC (-)
4	Black	OUT1 (PNP)

Output -27 and -67
(Color: Grey)


Pin	Color	Assignment
1	Brown	DC (+)
2	White	OUT2 (NPN or PNP)
3	Blue	DC (-)
4	Black	OUT1 (NPN or PNP)





Safety Instructions

These safety instructions are intended to prevent hazardous situations and/or equipment damage. These instructions indicate the level of potential hazard with the labels of “**Caution,**” “**Warning**” or “**Danger.**” They are all important notes for safety and must be followed in addition to International Standards (ISO/IEC), Japan Industrial Standards (JIS)*1) and other safety regulations*2).

- * 1) ISO 4414: Pneumatic fluid power – General rules relating to systems.
ISO 4413: Hydraulic fluid power – General rules relating to systems.
IEC 60204-1: Safety of machinery – Electrical equipment of machines. (Part 1: General requirements)
ISO 10218-1992: Manipulating industrial robots -Safety.
JIS B 8370: General rules for pneumatic equipment.
JIS B 8361: General rules for hydraulic equipment.
JIS B 9960-1: Safety of machinery – Electrical equipment of machines. (Part 1: General requirements)
JIS B 8433-1993: Manipulating industrial robots - Safety.
etc.
- * 2) Labour Safety and Sanitation Law, etc.

 **Caution:** Operator error could result in injury or equipment damage.

 **Warning:** Operator error could result in serious injury or loss of life.

 **Danger :** In extreme conditions, there is a possibility of serious injury or loss of life.

Warning

1. The compatibility of the product is the responsibility of the person who designs the equipment or decides its specifications.

Since the product specified here is used under various operating conditions, its compatibility with specific equipment must be decided by the person who designs the equipment or decides its specifications based on necessary analysis and test results. The expected performance and safety assurance of the equipment will be the responsibility of the person who has determined its compatibility with the product. This person should also continuously review all specifications of the product referring to its latest catalogue information, with a view to giving due consideration to any possibility of equipment failure when configuring the equipment.

2. Only personnel with appropriate training should operate machinery and equipment.

The product specified here may become unsafe if handled incorrectly. The assembly, operation and maintenance of machines or equipment including our products must be performed by an operator who is appropriately trained and experienced.

3. Do not service or attempt to remove product and machinery/equipment until safety is confirmed.

1. The inspection and maintenance of machinery/equipment should only be performed after measures to prevent falling or runaway of the driven objects have been confirmed.

2. When the product is to be removed, confirm that the safety measures as mentioned above are implemented and the power from any appropriate source is cut, and read and understand the specific product precautions of all relevant products carefully.

3. Before machinery/equipment is restarted, take measures to prevent unexpected operation and malfunction.

4. Contact SMC beforehand and take special consideration of safety measures if the product is to be used in any of the following conditions.

1. Conditions and environments outside of the given specifications, or use outdoors or in a place exposed to direct sunlight.

2. Installation on equipment in conjunction with atomic energy, railways, air navigation, space, shipping, vehicles, military, medical treatment, combustion and recreation, or equipment in contact with food and beverages, emergency stop circuits, clutch and brake circuits in press applications, safety equipment or other applications unsuitable for the standard specifications described in the product catalogue.

3. An application which could have negative effects on people, property, or animals requiring special safety analysis.

4. Use in an interlock circuit, which requires the provision of double interlock for possible failure by using a mechanical protective function, and periodical checks to confirm proper operation.



Series ISE70/75/75H Specific Product Precautions 1

Be sure to read this before handling.
Refer to back page 1 for Safety Instructions and “Precautions for Handling Pneumatic Devices” (M-03-E3A) for Pressure Switches Precautions.

Handling

Warning

- Do not drop, bump, or apply excessive impacts (980 m/s²) while handling.**
Although the body of the sensor may not be damaged, the internal parts of the sensor could be damaged and lead to malfunction.
- The tensile strength of the cord is 50 N.**
Applying a greater pulling force on it can cause a malfunction. When handling, hold the body of the sensor—do not dangle it from the cord.
- Do not exceed the screw-in torque of 40 N·m for the ISE70 and 80 N·m for the ISE75(H) when connecting the pipe to the switch.**
Exceeding these values may cause the switch to malfunction.
- Do not use pressure sensors with poisonous, corrosive and/or flammable gases or liquids.**
- When connecting the pipe to the switch, engage the wrench horizontally to the chamfered barrel of the fitting.**
Be careful not to apply excessive force to the switch's main unit.

Connection

Warning

- Incorrect wiring can damage the switch and cause malfunction or erroneous switch output.**
- Connections should be done while the power is turned off.**
- Wire separately from power lines and high voltage lines, avoiding wiring in the same conduit with these lines.**
Malfunctions may occur due to noise from these other lines.
- If a commercial switching regulator is used, make sure that the F.G. terminal is grounded.**

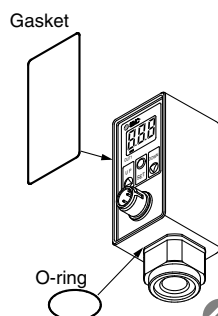
Operating Environment

Warning

- Our pressure switches are CE marked; however, they are not equipped with surge protection against lightning.**
Lightning surge countermeasures should be applied directly to system components as necessary.
- Our pressure switches do not have an explosion proof rating.**
Never use in the presence of an explosive gas as this may cause a serious explosion.

Caution

- Do not use in an environment with spattering liquid of oil or solvent.**
This may cause the switch to malfunction due to corrosion and/or swelling in the seals (FKM).



Pressure Source

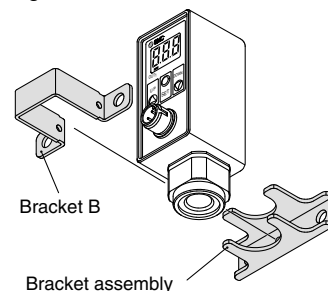
Warning

- Use of poisonous and deleterious substances, corrosive or combustible fluids**
Do not use fluids such as poisonous and deleterious substances or corrosive gases. Also, note that the switch is not explosion-proof.
- Applicable fluids**
Do not use the switch for any corrosive or flammable gas or fluid (ISE70 series).
Do not use the switch for any fluid capable of corroding stainless steel 304, 430 and 630; or for any flammable gas or liquid (ISE75/75H series).
(For corrosiveness of fluids, consult with the manufacturer of the fluid.)
- Withstand pressure**
When liquid fluid is used, rapid pressure change can be generated such as water hammer and surge pressure when a valve is turned ON/OFF.
Install a dumper, an absorber or an accumulator as a countermeasure according to necessity. It may damage the pressure sensor or the switch if pressure over the proof pressure is applied even for a second.

Mounting

Caution

- Connecting the pipe to the switch**
When connecting the pipe to the switch, apply a torque of 13.6 N·m or greater for the ISE70 series and a torque of 25 N·m or greater for the ISE75/75H series.
- Bracket-mounting the switch**
Interlock the neck of the switch's piping port between the bracket assembly and bracket B. Using two M6 screws, mount the switch onto a wall. If the panel thickness is less than 5 mm, use nuts or other alternative means to increase the mounting strength.



Bracket B and the bracket assembly make up one set.



Series ISE70/75/75H

Specific Product Precautions 2

Be sure to read this before handling.
Refer to back page 1 for Safety Instructions and “Precautions for Handling Pneumatic Devices” (M-03-E3A) for Pressure Switches Precautions.

Set Pressure Range and Rated Pressure Range

⚠ Caution

1. Set the pressure to within the rated pressure range.

The set pressure range is the range of pressure that is possible to set within.

The rated pressure range is the range of pressure that satisfies the specifications (accuracy, linearity, etc.) on the switch.

Although it is possible to set a value outside the rated pressure range, the specifications will not be guaranteed even if the value stays within the set pressure range.

Switch		Pressure range						
		-100 kPa	0	0.4 MPa	0.5 MPa	1 MPa	10 MPa	15 MPa
For 1 MPa (For Air)	ISE70		0	1 MPa				
		-100 kPa (-0.1 MPa)	1 MPa					
For 10 MPa (For General Fluids)	ISE75		0	10 MPa				
			0.4 MPa	10 MPa				
For 15 MPa (For General Fluids)	ISE75H		0	15 MPa				
				0.5 MPa	15 MPa			

* The ISE75(H) switch shows zero (0) when the pressure being applied goes below the lower limit of the set pressure range, when the cut-too-zero display function is selected.

Rated pressure range of switch
 Set pressure range of switch


EUROPEAN SUBSIDIARIES:

Austria

SMC Pneumatik GmbH (Austria).
Girakstrasse 8, A-2100 Korneuburg
Phone: +43 2262-622800, Fax: +43 2262-62285
E-mail: office@smc.at
http://www.smc.at


France

SMC Pneumatique, S.A.
1, Boulevard de Strasbourg, Parc Gustave Eiffel
Bussy Saint Georges F-77607 Marne La Vallée Cedex 3
Phone: +33 (0)1-6476 1000, Fax: +33 (0)1-6476 1010
E-mail: contact@smc-france.fr
http://www.smc-france.fr


Netherlands

SMC Pneumatics BV
De Ruyterkade 120, NL-1011 AB Amsterdam
Phone: +31 (0)20-5318888, Fax: +31 (0)20-5318880
E-mail: info@smcpneumatics.nl
http://www.smcneumatics.nl


Spain

SMC España, S.A.
Zuazobidea 14, 01015 Vitoria
Phone: +34 945-184 100, Fax: +34 945-184 124
E-mail: post@smc.smces.es
http://www.smc.eu


Belgium

SMC Pneumatics N.V./S.A.
Nijverheidsstraat 20, B-2160 Wommelgem
Phone: +32 (0)3-355-1464, Fax: +32 (0)3-355-1466
E-mail: info@smcpneumatics.be
http://www.smcneumatics.be


Germany

SMC Pneumatik GmbH
Boschring 13-15, D-63329 Egelsbach
Phone: +49 (0)6103-4020, Fax: +49 (0)6103-402139
E-mail: info@smc-pneumatik.de
http://www.smc-pneumatik.de


Norway

SMC Pneumatics Norway A/S
Vollsveien 13 C, Granfos Næringspark N-1366 Lysaker
Tel: +47 67 12 90 20, Fax: +47 67 12 90 21
E-mail: post@smc-norge.no
http://www.smc-norge.no


Sweden

SMC Pneumatics Sweden AB
Ekhagsvägen 29-31, S-141 71 Huddinge
Phone: +46 (0)8-603 12 00, Fax: +46 (0)8-603 12 90
E-mail: post@smcpneumatics.se
http://www.smc.nu


Bulgaria

SMC Industrial Automation Bulgaria EOOD
Business Park Sofia, Building 8 - 6th floor, BG-1715 Sofia
Phone: +359 2 9744492, Fax: +359 2 9744519
E-mail: office@smc.bg
http://www.smc.bg


Greece

SMC Hellas EPE
Anagenniseos 7-9 - P.C. 14342, N. Philadelphia, Athens
Phone: +30-210-2717265, Fax: +30-210-2717766
E-mail: sales@smchellas.gr
http://www.smchellas.gr


Poland

SMC Industrial Automation Polska Sp.z.o.o.
ul. Poloneza 89, PL-02-826 Warszawa
Phone: +48 22 211 9600, Fax: +48 22 211 9617
E-mail: office@smc.pl
http://www.smc.pl


Switzerland

SMC Pneumatik AG
Dorfstrasse 7, CH-8484 Weisslingen
Phone: +41 (0)52-396-3131, Fax: +41 (0)52-396-3191
E-mail: info@smc.ch
http://www.smc.ch


Croatia

SMC Industrijska automatika d.o.o.
Crnomerec 12, HR-10000 ZAGREB
Phone: +385 1 377 66 74, Fax: +385 1 377 66 74
E-mail: office@smc.hr
http://www.smc.hr


Hungary

SMC Hungary Ipari Automatizálási Kft.
Torbágy út 19, H-2045 Törökbálint
Phone: +36 23 511 390, Fax: +36 23 511 391
E-mail: office@smc.hu
http://www.smc.hu


Portugal

SMC Sucursal Portugal, S.A.
Rua de Eng^o Ferreira Dias 452, 4100-246 Porto
Phone: +351 226 166 570, Fax: +351 226 166 589
E-mail: postpt@smc.smces.es
http://www.smc.eu


Turkey

Entek Pnömatik San. ve Tic. A*.
Perpa Ticaret Merkezi B Blok Kat:11 No: 1625, TR-34386, Okmeydanı, İstanbul
Phone: +90 (0)212-444-0762, Fax: +90 (0)212-221-1519
E-mail: smc@entek.com.tr
http://www.entek.com.tr


Czech Republic

SMC Industrial Automation CZ s.r.o.
Hudcova 78a, CZ-61200 Brno
Phone: +420 5 414 24611, Fax: +420 5 412 18034
E-mail: office@smc.cz
http://www.smc.cz


Ireland

SMC Pneumatics (Ireland) Ltd.
2002 Citywest Business Campus, Naas Road, Saggart, Co. Dublin
Phone: +353 (0)1-403 9000, Fax: +353 (0)1-464-0500
E-mail: sales@smcpneumatics.ie
http://www.smcneumatics.ie


Romania

SMC Romania srl
Str Frunzei 29, Sector 2, Bucharest
Phone: +40 213205111, Fax: +40 213261489
E-mail: smcromania@smcromania.ro
http://www.smcromania.ro


UK

SMC Pneumatics (UK) Ltd
Vincent Avenue, Crownhill, Milton Keynes, MK8 0AN
Phone: +44 (0)800 1382930 Fax: +44 (0)1908-555064
E-mail: sales@smcpneumatics.co.uk
http://www.smcneumatics.co.uk


Denmark

SMC Pneumatik A/S
Egeskovvej 1, 8700 Horsens
Phone: +45 70252900, Fax: +45 70252901
E-mail: smc@smcdk.com
http://www.smcdk.com


Italy

SMC Italia S.p.A
Via Garibaldi 62, I-20061 Carugate, (Milano)
Phone: +39 (0)2-92711, Fax: +39 (0)2-9271365
E-mail: mailbox@smcitalia.it
http://www.smcitalia.it


Russia

SMC Pneumatik LLC.
4B Sverdlovskaja nab., St. Petersburg 195009
Phone: +7 812 718 5445, Fax: +7 812 718 5449
E-mail: info@smc-pneumatik.ru
http://www.smc-pneumatik.ru


Estonia

SMC Pneumatics Estonia OÜ
Laki 12, 106 21 Tallinn
Phone: +372 6510370, Fax: +372 65110371
E-mail: smc@smcpneumatics.ee
http://www.smcneumatics.ee


Latvia

SMC Pneumatics Latvia SIA
Smerla 1-705, Riga LV-1006
Phone: +371 781-77-00, Fax: +371 781-77-01
E-mail: info@smclv.lv
http://www.smclv.lv


Slovakia

SMC Priemyselná Automatizácia, s.r.o.
Fatranská 1223, 01301 Teplická Nad Váhom
Phone: +421 41 3213212 - 6 Fax: +421 41 3213210
E-mail: office@smc.sk
http://www.smc.sk


Finland

SMC Pneumatics Finland Oy
PL72, Tiistinniityntie 4, SF-02231 ESPOO
Phone: +358 207 513513, Fax: +358 207 513599
E-mail: smcffi@smc.fi
http://www.smc.fi


Lithuania

SMC Pneumatics Lietuva, UAB
Oslo g.1, LT-04123 Vilnius
Phone: +370 5 264 81 26, Fax: +370 5 264 81 26


Slovenia

SMC industrijska Avtomatika d.o.o.
Mirnska cesta 7, SI-8210 Trebnje
Phone: +386 7 3885412 Fax: +386 7 3885435
E-mail: office@smc.si
http://www.smc.si


OTHER SUBSIDIARIES WORLDWIDE:

ARGENTINA, AUSTRALIA, BOLIVIA, BRASIL, CANADA, CHILE,
CHINA, HONG KONG, INDIA, INDONESIA, MALAYSIA, MEXICO,
NEW ZEALAND, PHILIPPINES, SINGAPORE, SOUTH KOREA,
TAIWAN, THAILAND, USA, VENEZUELA

<http://www.smc.eu>
<http://www.smcworld.com>